


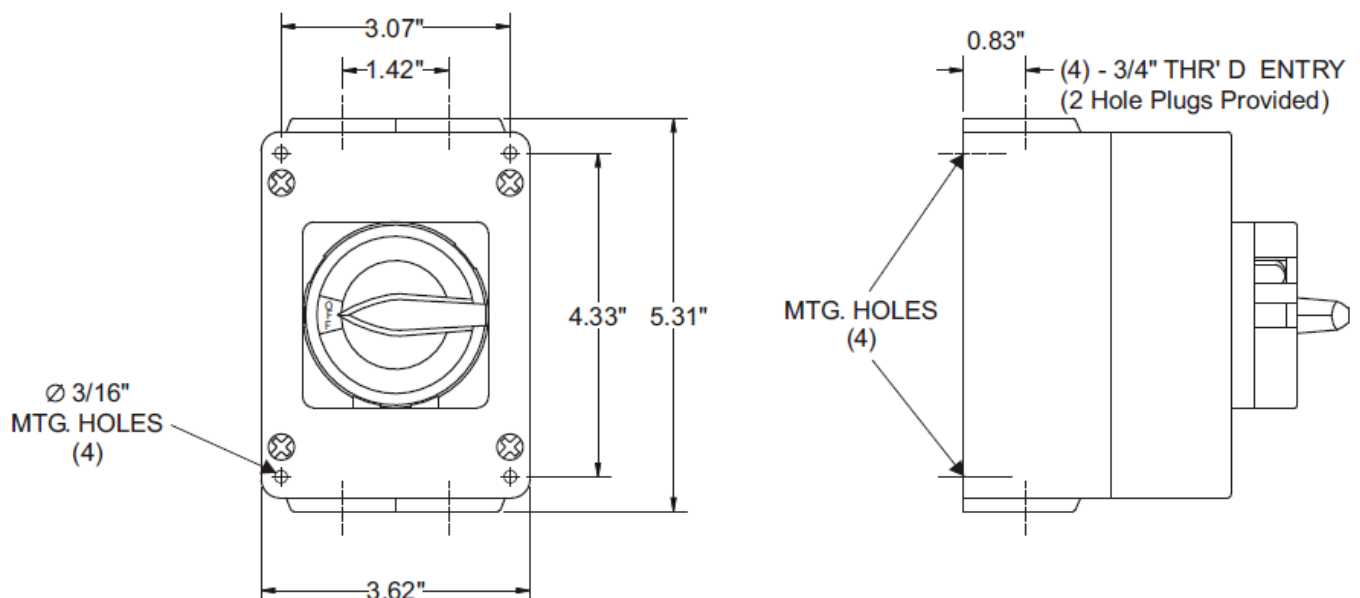
MENNEKES
 Electrical Products
 277 Fairfield Road
 Fairfield, NJ 07004
 800-882-7584
 www.MENNEKES.com

MS DISCONNECT SWITCH

Part No.	ME 20MS
Description:	25 Amp 3Ø 600Vac Motor Disconnect
Construction:	IP 65
Approvals:	 us to UL Standard 508 and CSA 22.2 No.14-10
Performance:	Lock Rotor Tested 10kAIC Rated Suitable as Motor Disconnect Per NEC 430-109(a)(6)

HP RATINGS:

3 Ø		
240V	480V	600V
3	5	5



Drawing Not to Scale